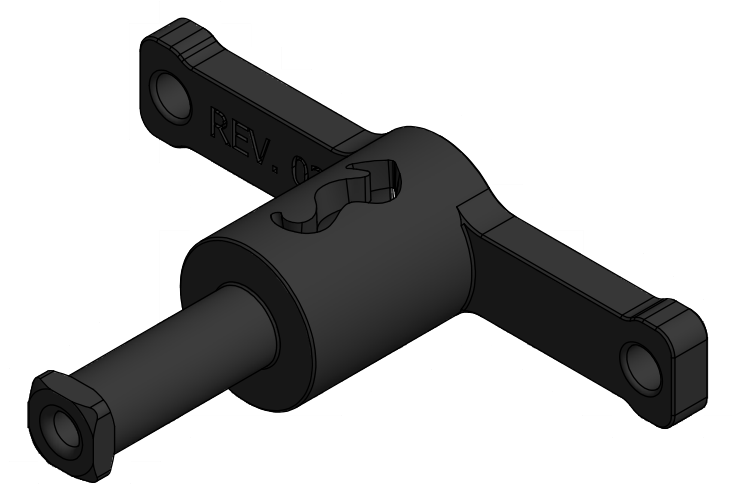
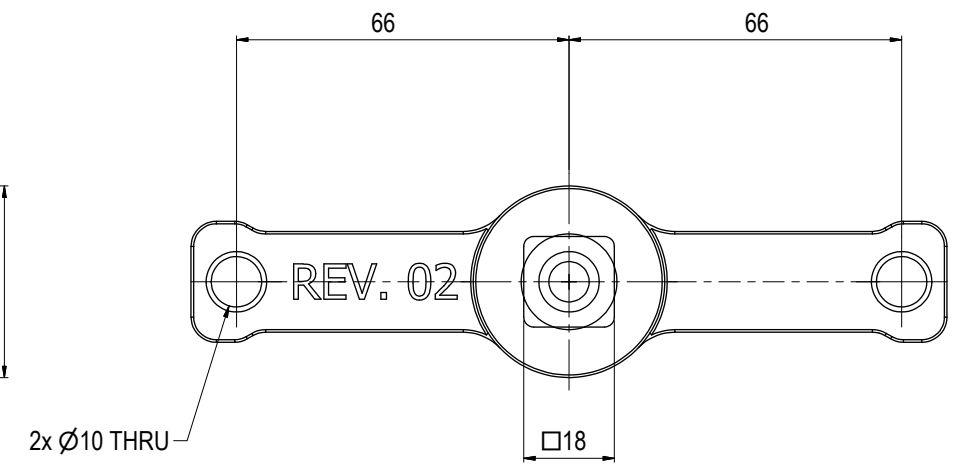
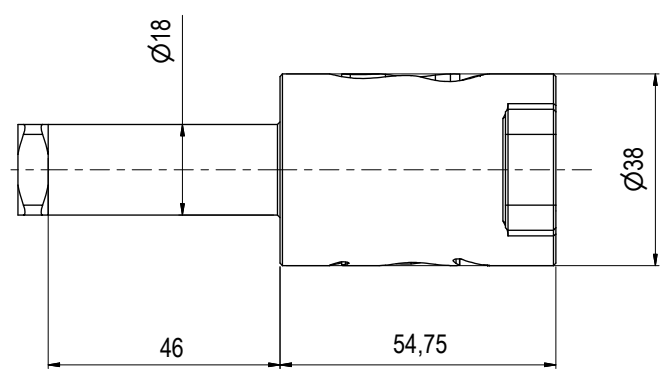
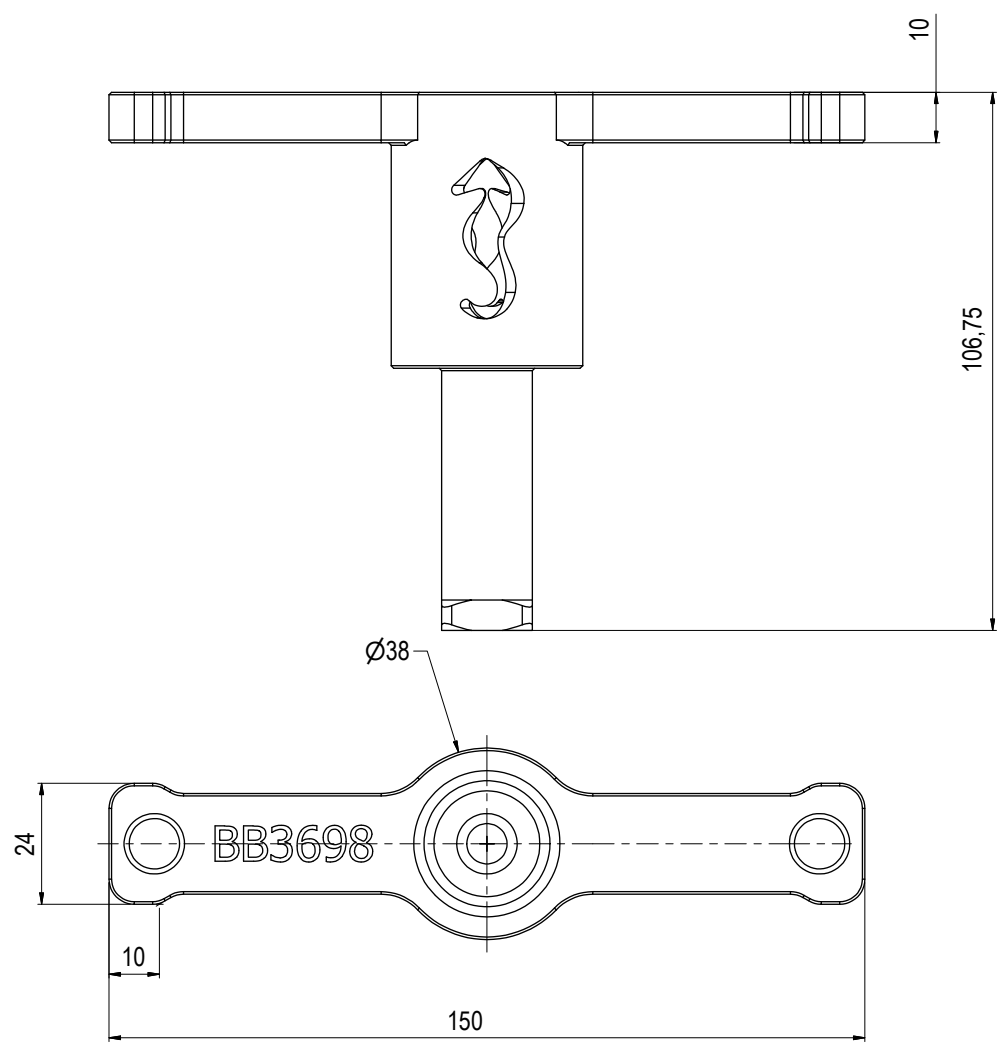


NOTE: 1
 DESIGN CODE:
 N/A

NOTE: 2
 TECHNICAL CLASSIFICATION:
 Article Type: 008-Actuation
 Main Group: 8.01. ISO 1 to 4 Actuation
 Intermediate Group: 8.44.01. Tool
 Sub Group: 8.44.114.02. Intervention

NOTE: 3
 INTERFACE INFORMATION:
 Pressure Rating Bar: N/A
 Design Water Depth: N/A
 Material: PA.12 3D
 Weight in Air: 0,1 kg
 Volume: 0,07 dm³
 Submerged Weight: 0,01 kg
 Surface Area: 248 cm²
 Hydraulic: N/A
 Mechanical: N/A
 Electrical: N/A
 Com. & Protocol: N/A



Rev.	Date	Reason for issue	Revision change	Made	Chk'd	Appr.
02	21.8.2019	7-IFC (Issued for Construction)		WTJ	LGH	WTJ
01	14.8.2019	7-IFC (Issued for Construction)		WTJ	LGH	WTJ



Unless Noted Otherwise:	Dwg Scale: NTS
Dim. Tol: NS-ISO 2768-1N/A	Dwg Proj:
Roughness: RaN/A	Dwg Format: A3
Fillet Rad: Corner Rmax: N/A	Break Edges: (R. Alt. 45°) R= 0,1-0,5

Drawing title: Key for Top Side 3D PA12	Drawing number: BB3698	Rev: 02
---	------------------------	---------